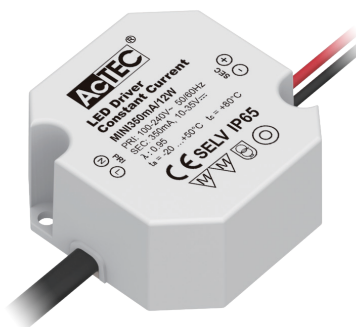
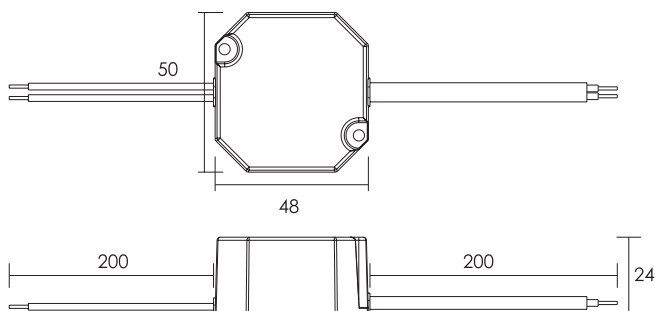


# Mini Series Constant Current LED Driver

LED恒压驱动器



| Model No.<br>型号 | Input voltage<br>额定电压 (V) | Max. output power<br>功率 (W) | Output current<br>输出电流 (mA) | Output voltage<br>输出电压 (V) | Power factor<br>功率因数 (λ) | Efficiency full load<br>效率 (%) | No-load power<br>空载功率 (W) | Ambient temperature<br>环境温度 ta (°C) | Max. casing temperature<br>最大外壳温度 tc (°C) | Isolation<br>隔离 | Dimensions LxWxH<br>尺寸 (mm) | Weight<br>重量 (g) |
|-----------------|---------------------------|-----------------------------|-----------------------------|----------------------------|--------------------------|--------------------------------|---------------------------|-------------------------------------|---|-----------------|-----------------------------|------------------|
| MINI350mA/12W   | 100-240                   | 12                          | 350                         | 12-35                      | 0.95                     | 83                             | <0.5                      | -20...+50                           | 80  | SELV            | 50x48x24                    | 80               |
| MINI500mA/12W   | 100-240                   | 12                          | 500                         | 8-24                       | 0.95                     | 82                             | <0.5                      | -20...+50                           | 80  | SELV            | 50x48x24                    | 80               |
| MINI700mA/12W   | 100-240                   | 12                          | 700                         | 6-17                       | 0.95                     | 82                             | <0.5                      | -20...+50                           | 80  | SELV            | 50x48x24                    | 80               |

- Super compact design
  - Driver for built-in use
  - Universal AC input
  - Primary and secondary sides come with leads
  - Open circuit, short circuit, over load and overheating protection
  - Simple installation
  - SELV class II output
  - IP65 design
- 超小体积紧凑设计
  - 内置式驱动
  - 全电压输入规格AC100-240V
  - 输入和输出端引线型
  - 输出开路, 短路, 过载和超温保护
  - 安装经济便捷
  - SELV和II类等级
  - 防护等级IP65

CE IP65